

1. Coin-type Lithium Battery (V7-BT)

⚠ CAUTION

MONITOUCH is delivered without inserting the battery connector in the battery holder on the back of the unit.
Be sure to set the battery when using the calendar function or SRAM.
Without a battery, the contents in the SRAM or calendar will not be retained.

Battery Usage

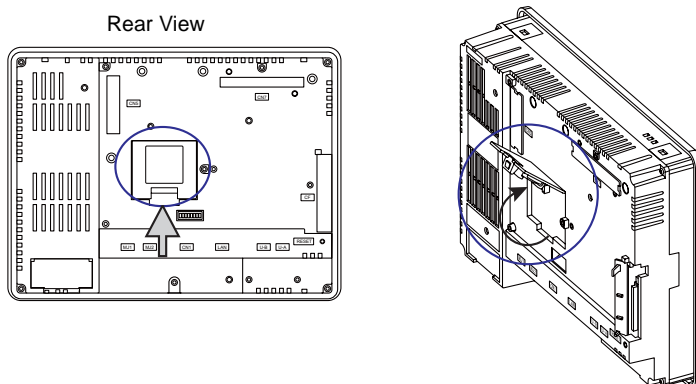
The battery is used for the user memory area (non-volatile memory \$L and \$LD, storing sampling data, etc.) in SRAM, or backup battery for the built-in clock.

Battery Mounting Procedure

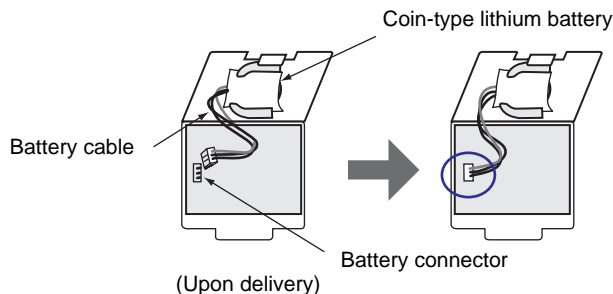
⚠ DANGER

Electric shock hazard
Steps 2 to 5 must be performed when the power to the V8 series is turned off.

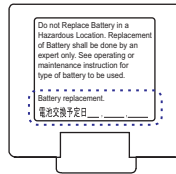
1. Turn the unit off.
2. Open the battery holder cover in the direction of the arrow as shown in the left illustration below.



3. Check that the battery is securely attached to the backside of the cover, and connect the battery connector.



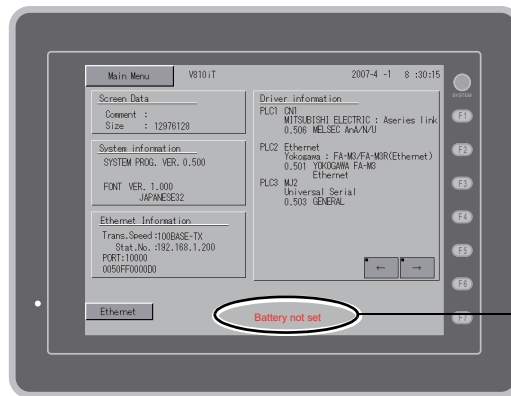
4. Close the battery holder cover.
5. Enter a date five years from now for "Battery replacement" on the sticker on the battery holder.



Write down the date five years from now.

6. Turn the V8 unit off.
When no battery is set, the message "Battery not set" is displayed, and when the battery voltage has dropped, the message "Brownout Battery" is displayed at the bottom center of the Main Menu screen.

Main Menu screen when the battery is not connected



The message
"Battery not set"

Battery Voltage Drop Detection

The battery status is output to the internal memory \$s167 of the V8 series. When the battery voltage is lowered, the message "Brownout Battery" is displayed at the bottom center on the Main Menu screen. If the battery voltage drops (4th bit is set) before five years has elapsed, replace the battery immediately.

	MSB	15	14	13	12	11	10	09	08	07	06	05	04	03	02	01	00	LSB
\$s167		0	0	0	0	0	0	0	0	0	0	0	0	0	0	0	0	

└─ System reserved (Setting: 0)
└─ 0: Battery OK.
1: Battery voltage drop
2: No battery