

CSV Output & Creating Backup Files

When [CSV Output] is selected, "SMPxxxx.CSV" is created from "SMPxxxx.BIN" in the "SAMPLE" folder. Consequently, when [Create Backup File] is also selected, "SMPxxxx.BIN" and "SMPxxxx.CSV" are both saved in the backup folder. (The same operation as when macro commands "SMPL_BAK" and "SMPLCSV_BAK" are executed at the same time.)

Timing of Saving

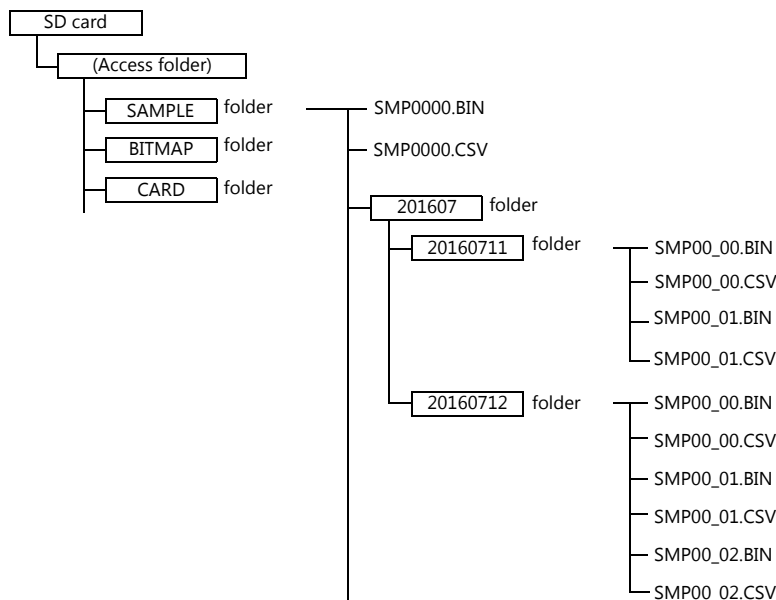
- At power-on
- When the date changes (1:23:45 AM)
- When the secondary storage destination becomes full
- When the macro commands "SMPL_BAK" and "SMPLCSV_BAK" or "SMPL_BAK" and "SMPLCSV_BAK2" are executed

Storage Destination

\\(access folder)\\SAMPLE\\YYYYMM\\YYYYMMDD

YYYY: Year
MM: Month
DD: Day

- Filename: SMPxx_yy.BIN
xx = 00 to 11: Buffering area number
yy = 00 to 99: Index number



- It is also possible to use the macro commands "SMPL_BAK" and "SMPLCSV_BAK" instead of selecting [CSV Output] and [Create Backup File]. For details, refer to the Macro Reference Manual. The use of macros is recommended for making backup files when the date changes.
- It is possible to automatically delete old backup files when the backup file size exceeds the capacity of an SD card. (In this case, select [System Setting] → [Unit Setting] → [General Settings] and select the [Delete folders from the oldest if Storage is lacking in space for backup] checkbox.)